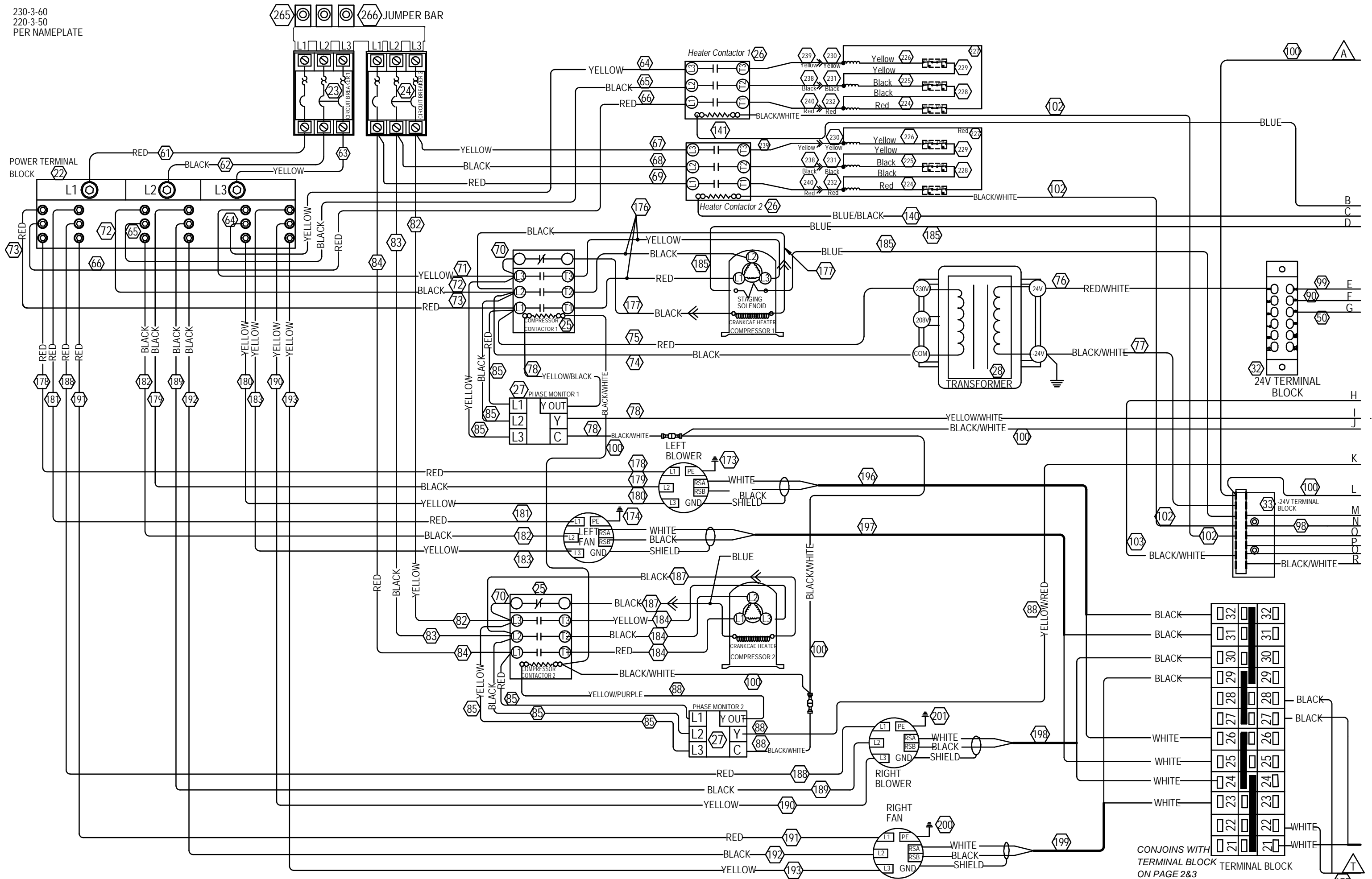
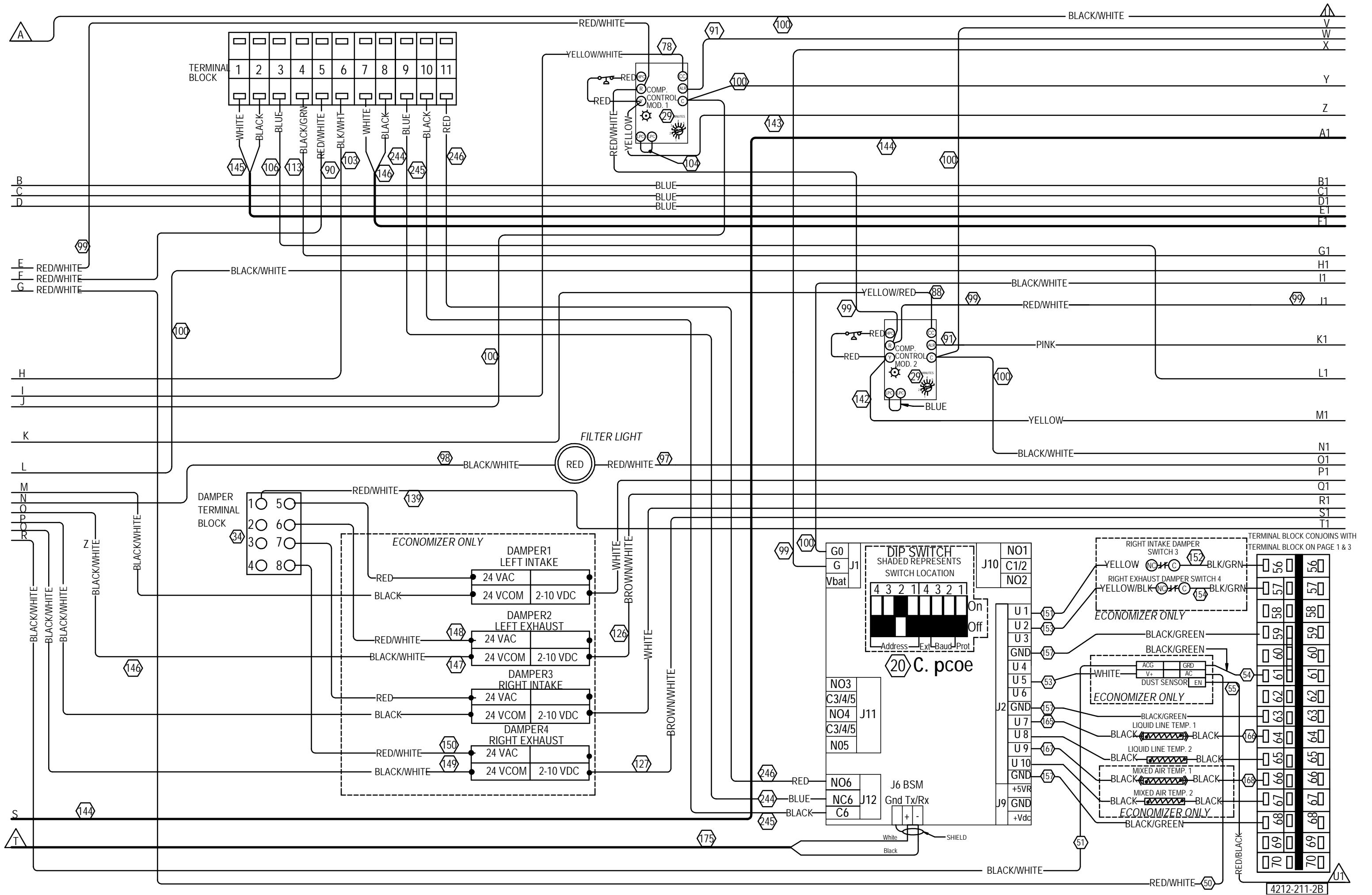
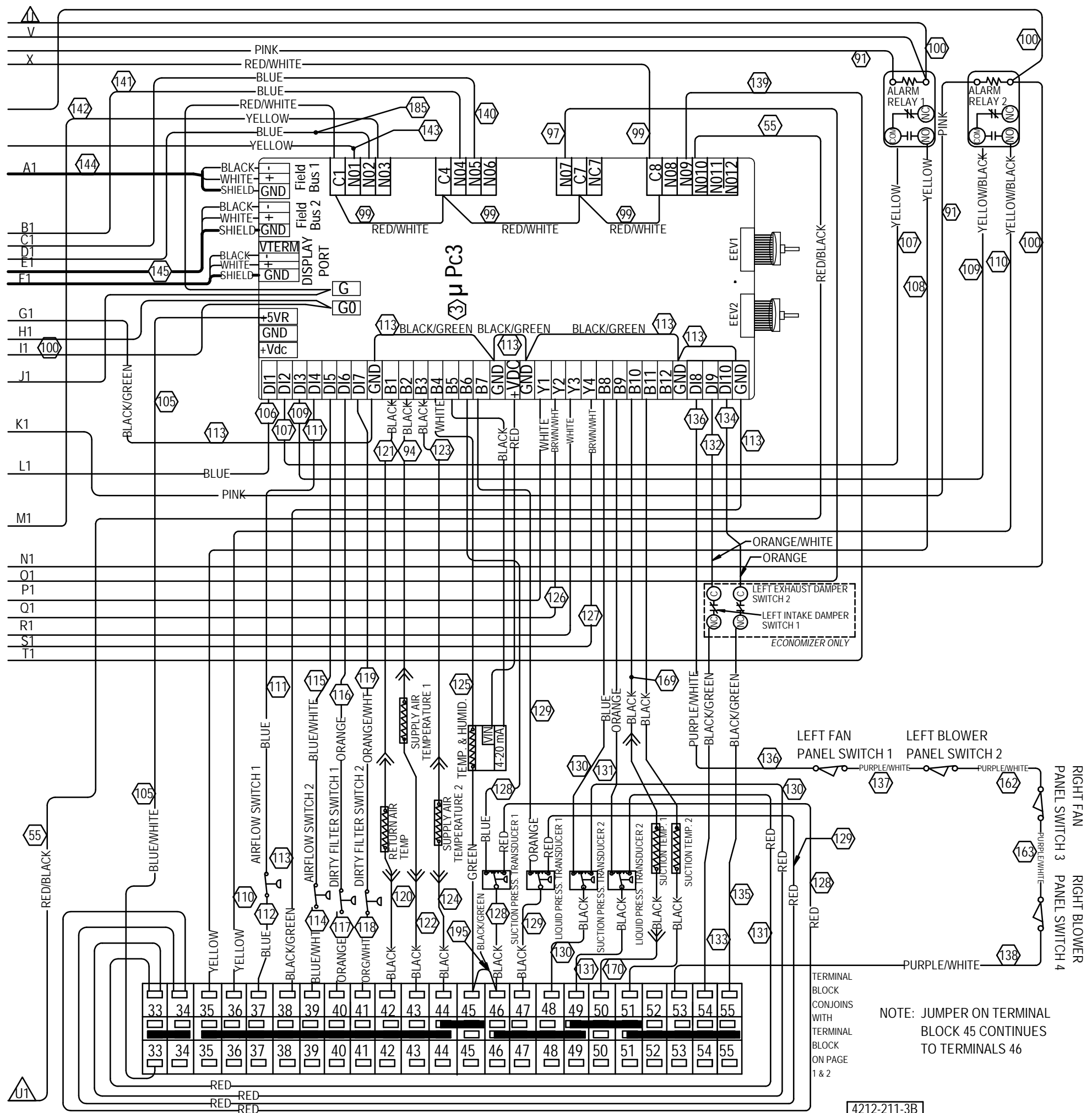


265 JUMPER BAR 266



CONJOINS WITH
TERMINAL BLOCK
ON PAGE 2&3





NOTE: JUMPER ON TERMINAL BLOCK 45 CONTINUES TO TERMINALS 46 ON PAGE 1 & 2